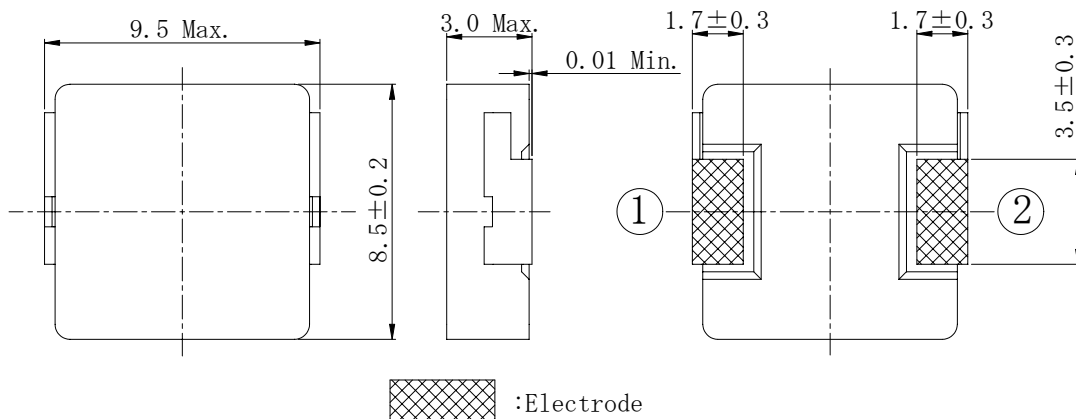
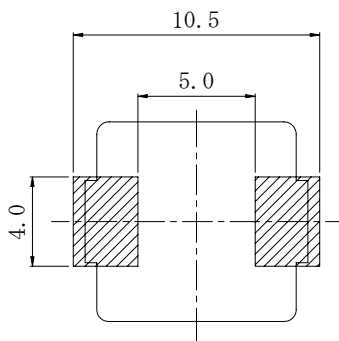
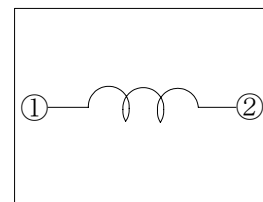


Type: CDMC8D28
◆ Product Description

- 9.5×8.7mm Max. (L×W), 3.0mm Max. Height.
- Inductance range: 0.18~3.9 μ H
- Rated current range: 6.4~25.8A
- In addition to the standard versions of inductors shown here, custom inductors are available to meet your exact requirements.


◆ Feature

- Magnetically shielded construction.
- Metal powder molded type, super high current inductors.
- High current inductor for Server, Notebook PC ,CPU etc as DC-DC Converter inductors.
- RoHS Compliance.

◆ Dimensions (mm)

◆ Land Pattern (mm)

◆ Schematics (Bottom)


Type: CDMC8D28
◆ Specification

Part Name ※	Stamp	Inductance (μ H) at 1MHz	D.C.R. (m Ω) Max. [Typ.] (at 20 $^{\circ}$ C)	Saturation Current (A) Max. (Typ.) (at 20 $^{\circ}$ C) ※1	Temperature Rise Current (A)※2
CDMC8D28NP-R18M□	R18	0.18 \pm 20%	1.6(1.28)	28.7(35.9)	25.8
CDMC8D28NP-R39M□	R39	0.39 \pm 20%	2.5(2.08)	19.8(24.7)	19.9
CDMC8D28NP-R68M□	R68	0.68 \pm 20%	4.2(3.50)	16.0(20.0)	15.4
CDMC8D28NP-1R2M□	1R2	1.2 \pm 20%	6.6(5.50)	12.2(15.3)	12.9
CDMC8D28NP-1R8M□	1R8	1.8 \pm 20%	11.9(9.90)	9.4(11.8)	9.3
CDMC8D28NP-2R2M□	2R2	2.2 \pm 20%	15.7(13.1)	8.8(11.0)	8.1
CDMC8D28NP-3R3M□	3R3	3.3 \pm 20%	20.0(16.7)	7.0(8.8)	7.3
CDMC8D28NP-3R9M□	3R9	3.9 \pm 20%	22.7(18.9)	6.4(8.0)	7.1

※ Description of part name

CDMC8D28NP- R18M□

- B Box
- C Carrier Tape

※1. Saturation current: The DC current at which the inductance decreases by 20% from its initial value.

※2. The temperature rise current: The DC current at which the temperature rise is $\Delta T=40^{\circ}$ C
($T_a=20^{\circ}$ C).